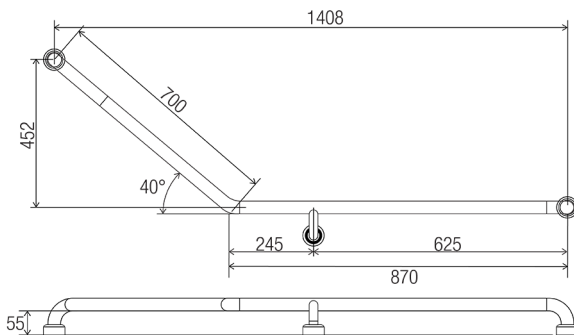


## PRODUCT INFORMATION

### DIMENSIONS



Drawn RH (Right Hand)

### INDICATIVE IMAGE



## HYGIENIC SEAL® - TOILET GRAB RAILS

### Product Code - Finish

- HS 877 SS RH - Satin Supreme™

### Features

- 870 mm x 700 mm
- Premium 32 mm grab rail
- Fabricated from 304 stainless steel
- Assembled with 50 mm brass screw on flange covers with Thermoplastic Elastomer (TPE) fitted seals
- Inside of grab rail has been cleaned and free of unsanitary oil and dirt produced through fabrication processes
- Stainless steel fixing screws supplied

### Compliance

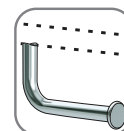
- Complies with clause 17 of AS 1428.1-2009 for design and construction of grab rails
- Complies with clause 15.2.7 of AS 1428.1-2009 for sanitary facilities



### Optional Extras - Toilet Roll Holder



- TR 031



- TR 031 S  
Factory Fitted

### Warranty

See Con-Serv warranty policy for full details.

CON-SERV CORPORATION AUSTRALIA PTY. LTD.

17 Glentanna Street, Kedron · Qld. 4031 Australia

Phone: +61 (0)7 3630 5744 · Fax: +61 (0)7 3630 5755 · Email: mail@con-serv.com.au · www.con-serv.com.au